

Technical Data Sheet G Series

Basic Info

KSF G 114x1300-4xM16 KSF G 114x1000-4xM16

Nominal length (mm)

1300 1000

Tube diameter (mm)

114.30 114.30

Weight (kg)

11.00 8.50

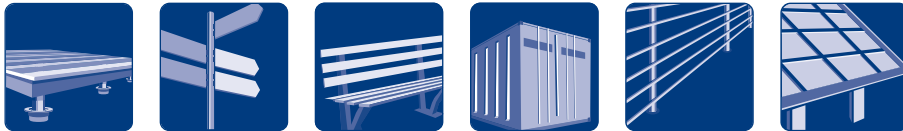
Item number

25461 25460

Construction

- Nut: DIN EN ISO 4032 - 8
- Continuous welded helix
- Coating: Hot-dip galvanized according to DIN EN ISO 1461

Applications



Accessories



**Special
Granulate 1500 g**
Item No. 21824



**Special
Granulate 500 g**
Item No. 21823



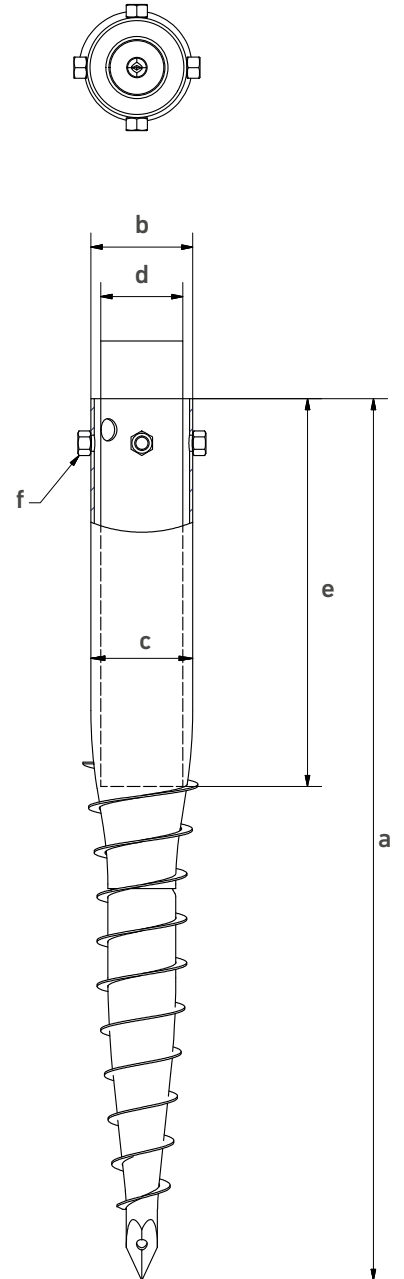
Screwing Bar long
2.40 kg
Item No. 24805



KSF G 114x
1300-4xM16

Technical Data

	KSF G 114x1300-4xM16	KSF G 114x1000-4xM16
a	Length (mm) (± 25 mm)	
	1300	990
b	Shaft outer diameter (mm)	
	114.30	114.30
c	Inner diameter (mm)	
	107.10	107.10
d	Diameter setting (mm)	
	100 90 80 76	100 90 80 76
e	Depth setting (mm) (± 25 mm)	
	490 540 570 590	350 400 440 460
f	Thread	
	4 x M16	4 x M16



Online Service

	KSF G 114x1300-4xM16	KSF G 114x1000-4xM16
--	----------------------	----------------------

Webkey

G2546111D

G2546011D



Subject to technical change!

Krinner Schraubfundamente GmbH | Passauer Straße 55 | D-94342 Straßkirchen
 Phone: +49 9424 9401-80 | E-Mail: service@krinner.com | www.krinner.com